



16 GAUGE STAINLESS STEEL

THREE STATION FLOOR MOUNTED SINK WITH TUBULAR LEGS TOE-PUSH OPERATED



Foot Valves Included On All "FV" Models

Item #: _____ Qty #: _____
 Model #: _____
 Project #: _____



FEATURES:

- 8 1/2" high backsplash.
- 8" sink bowl depth.
- Two stainless steel "Z" brackets supplied each unit.
- One **K-6** 3 1/2" rear basket drain.
- Tubular stainless steel legs with flanged feet.
- One stainless steel support shelf with rear turn-up.
- Toe-Push Operated:** Includes three **K-104** toe-push valves & three **K-121** spouts.

CONSTRUCTION:

All TIG welded.
 Welded areas blended to match adjacent surfaces and to a satin finish.

MATERIAL:

All 16 gauge type "304" stainless steel.
 1 5/8" tubular "304" stainless steel legs.
 Stainless steel gussets.

MECHANICAL:

Single faucet hole punch at each station.

Model #	Length	# of Spouts	# of Pedals	Wt.	Cu.Ft.
FC-FM-60FV	60"	3	3	129 lbs.	30

[Click Here For Install Guide](#)



MULTI-STATION ACCESSORIES & REPLACEMENT PARTS

Model	Description	QTY:
K-6	3 1/2" Drain (1 1/2" I.P.S.)	_____
K-06	Splash Mount Faucet Mounting Kit	_____
K-13	Stainless Steel Soap Dispenser (Wall Mount Only)	_____
K-104	Toe-Push Valve Assembly	_____
K-121	Single Hole, Splash Mounted 3-1/2" Gooseneck Spout	_____
K-411	Strainer Plate for 3-1/2" Drain	_____
K-508	Special Sizing Charge (Larger Size Cut Down To Smaller Size)	_____
TA-19	Adjustable Stainless Steel Flanged Bullet Foot	_____



K-121



K-104



K-13



K-411

TA-19



K-06

= Ships UPS

Standard Faucets conform to NSF 61 Standard 9 and compliance to AB 1953 Standards.

WARNING: Equipment that include faucets on this page may contain a chemical known to the State of California to cause cancer, birth defects or other reproductive harm.



Customer Service Available To Assist You **1-800-645-3166** 8:30 am - 7:00 pm E.S.T.

For Orders & Customer Service:

Email: customer@advancetabco.com or Fax: 631-242-6900

For Smart Fabrication™ Quotes:

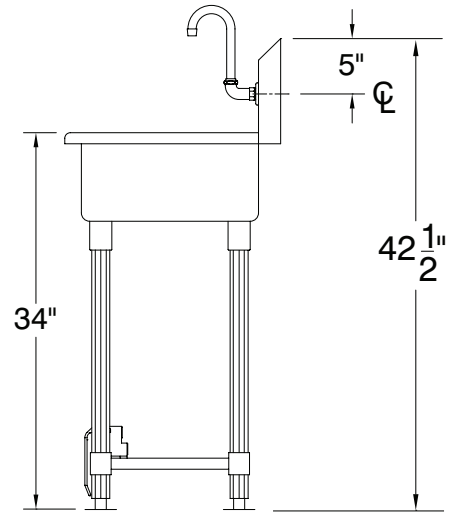
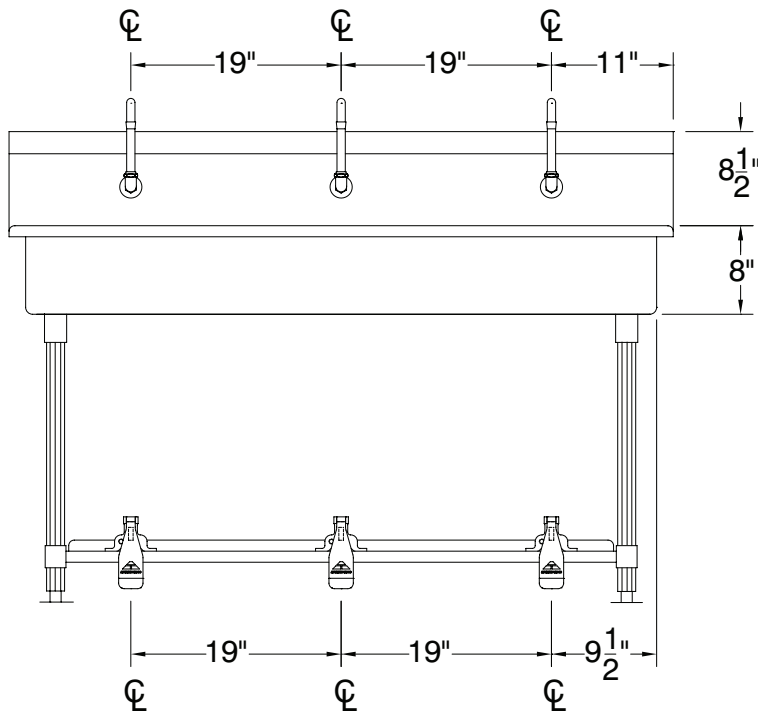
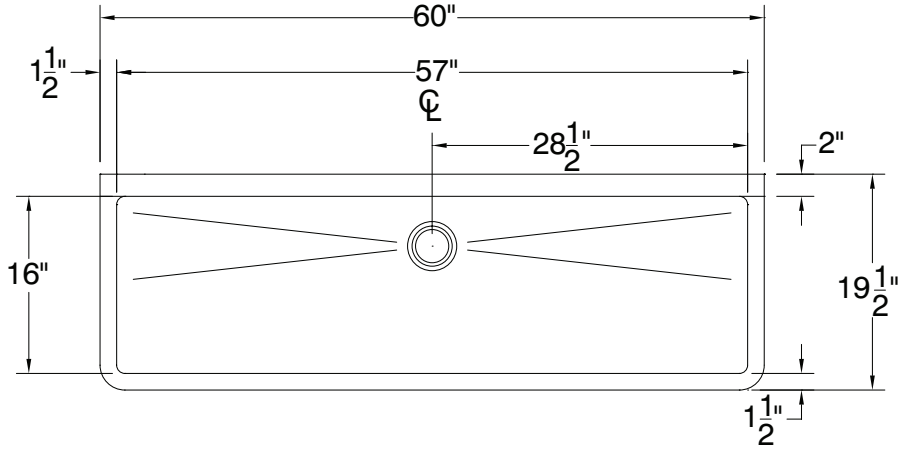
Email: smartfab@advancetabco.com or Fax: 631-586-2933

DETAILS and SPECIFICATIONS

TOL ± .500"

ALL DIMENSIONS ARE TYPICAL

FC-FM-60FV



129 Lbs.

