



**“WE MAKE THE KITCHEN BETTER!”**

Toll Free: 855-855-0399 Email: info@atosausa.com  
www.atosa.com | www.atosausa.com  
California, Colorado, Florida, Georgia, Illinois,  
Massachusetts, New Jersey, Ohio, Texas, Washington

# Bottom Mount Reach-In Refrigerators

| MODELS:   |
|-----------|
| MBF8519GR |

## Standard Features

- Bottom mount compressor units with environmentally friendly R290 refrigerant
- Stainless steel exterior & interior
- Digital controller
- Maintains temperatures between 33°F – 40°F
- LED interior light(s)
- Recessed door handle(s)
- Door lock(s) standard
- Magnetic door gasket(s) standard for positive door seal
- Pre-installed casters
- Three(3) pre-installed shelves per section
- Down duct refrigeration to ensure even distribution of air

## Optional Accessories

- Extra shelves – includes 4 shelf clips per shelf  
MBF8519GR shelf part #: W0402316



For the best results of food preservation we recommend setting your refrigerator between 33 °F to 38 °F

1. Don't forget to leave the unit some room to breathe!
2. Please clean the condenser frequently to give the unit more fresh air.



2 YEAR PARTS AND LABOR WARRANTY (US ONLY)  
5 YEAR COMPRESSOR PART WARRANTY (US ONLY)





**"WE MAKE THE KITCHEN BETTER!"**

Toll Free: 855-855-0399 Email: info@atosausa.com

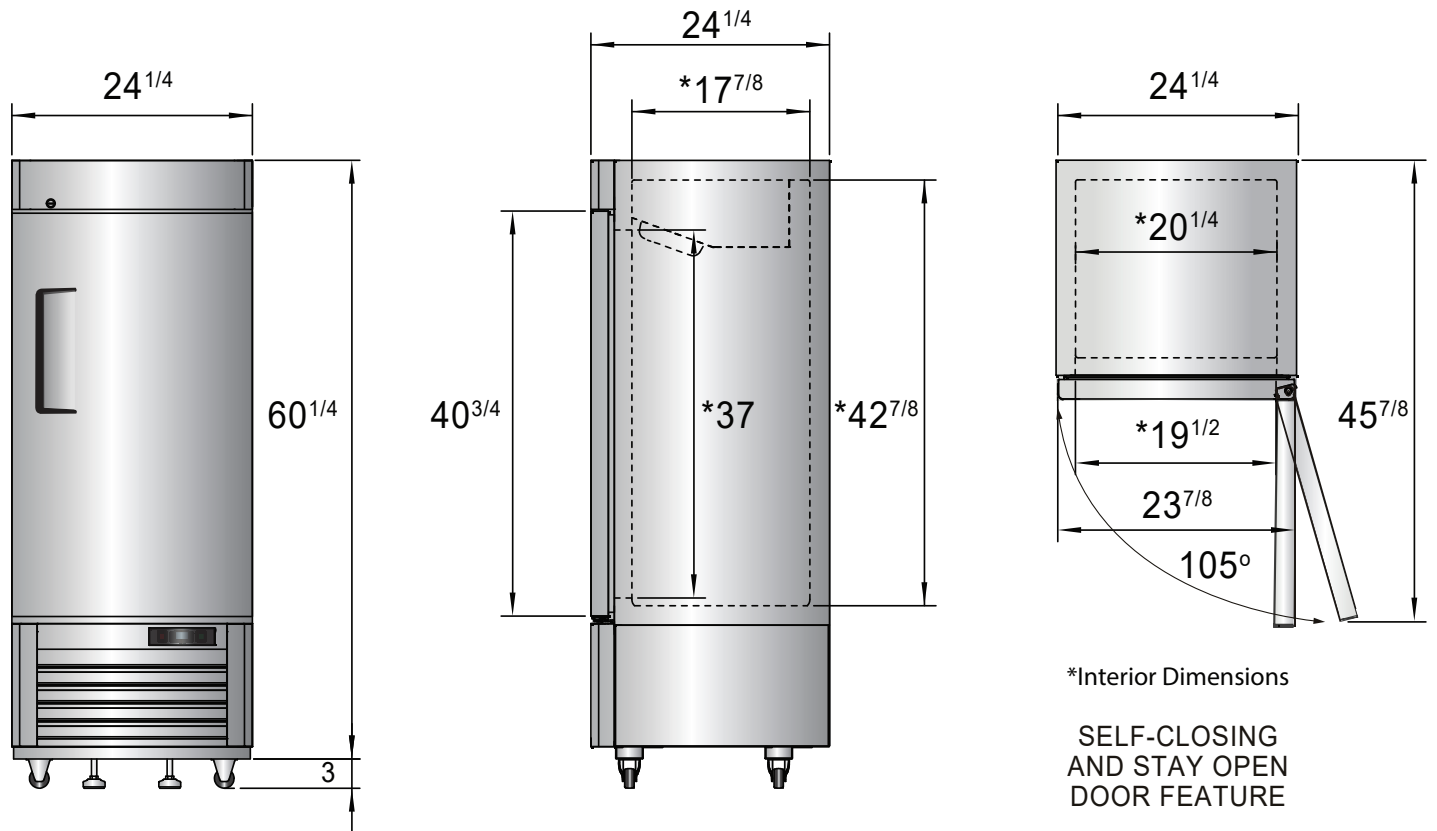
www.atosa.com | www.atosausa.com

California, Colorado, Florida, Georgia, Illinois, Massachusetts, New Jersey, Ohio, Texas, Washington

## SPECIFICATIONS

| Models    | Door | Capacity (Cu.Ft.) | Shelves | Casters (inch) | Amps (A) | Voltage (V/Hz/Ph) | HP  | Refrigerant | Exterior Dimensions (inch)                 | Net Weight (lbs) | Gross Weight (lbs) |
|-----------|------|-------------------|---------|----------------|----------|-------------------|-----|-------------|--|------------------|--------------------|
| MBF8519GR | 1    | 8.3               | 3       | 2              | 2.1      | 115/60/1          | 1/7 | R290        | 24 <sup>1/4</sup> × 24 × 63 <sup>1/4</sup> | 176              | 209                |

## PLAN VIEW



Casters

Epoxy shelves

Door lock

Down duct

Temperature control

