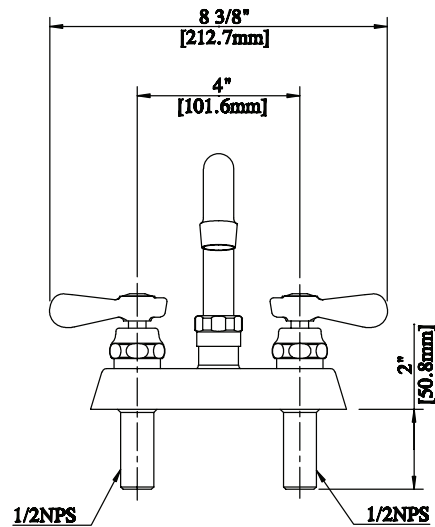
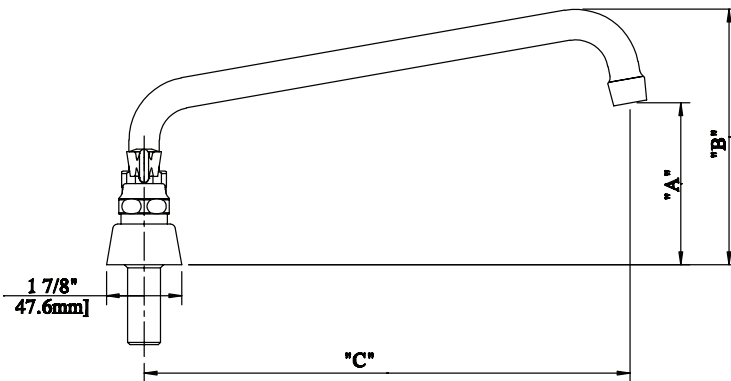
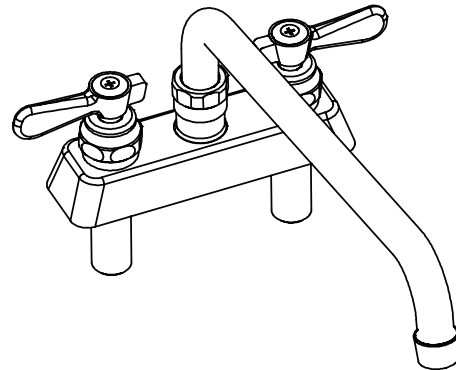




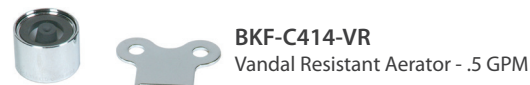
Use your smart phone to scan the above QR code to visit our website: www.bk-resources.com

4" Deck Mount Solid Body Faucet with Swing Spout

Model: BKF-4DM-G, Lead Free



Options:



Product Specifications:

- Heavy Duty Double Seat 1/4 Turn Ceramic Cartridges
- Color Coded Hot & Cold Indicators
- Double O-Ring Spout Seal
- High Polished Triple Dipped Chrome Finish
- Integral Check Valve
- Lead Free Compliant
- Full Replacement Parts Available

Product Detail:

| Model Number | DIM. A | DIM. B | DIM. C |
|--------------|---------------|---------------|-------------|
| BKF-4DM-6-G | 2.75" [69.8] | 5" [127] | 6" [152.4] |
| BKF-4DM-8-G | 3.16" [80.2] | 5.38" [136.5] | 8" [203.2] |
| BKF-4DM-10-G | 3.56" [90.5] | 5.75" [146] | 10" [254] |
| BKF-4DM-12-G | 3.88" [98.4] | 6.16" [156.4] | 12" [304.8] |
| BKF-4DM-14-G | 4.31" [109.5] | 6.56" [166.7] | 14" [355.6] |
| BKF-4DM-16-G | 4.75" [120.6] | 6.88" [174.6] | 16" [406.4] |

Certifications:



PRODUCT SPECIFICATION SHEET

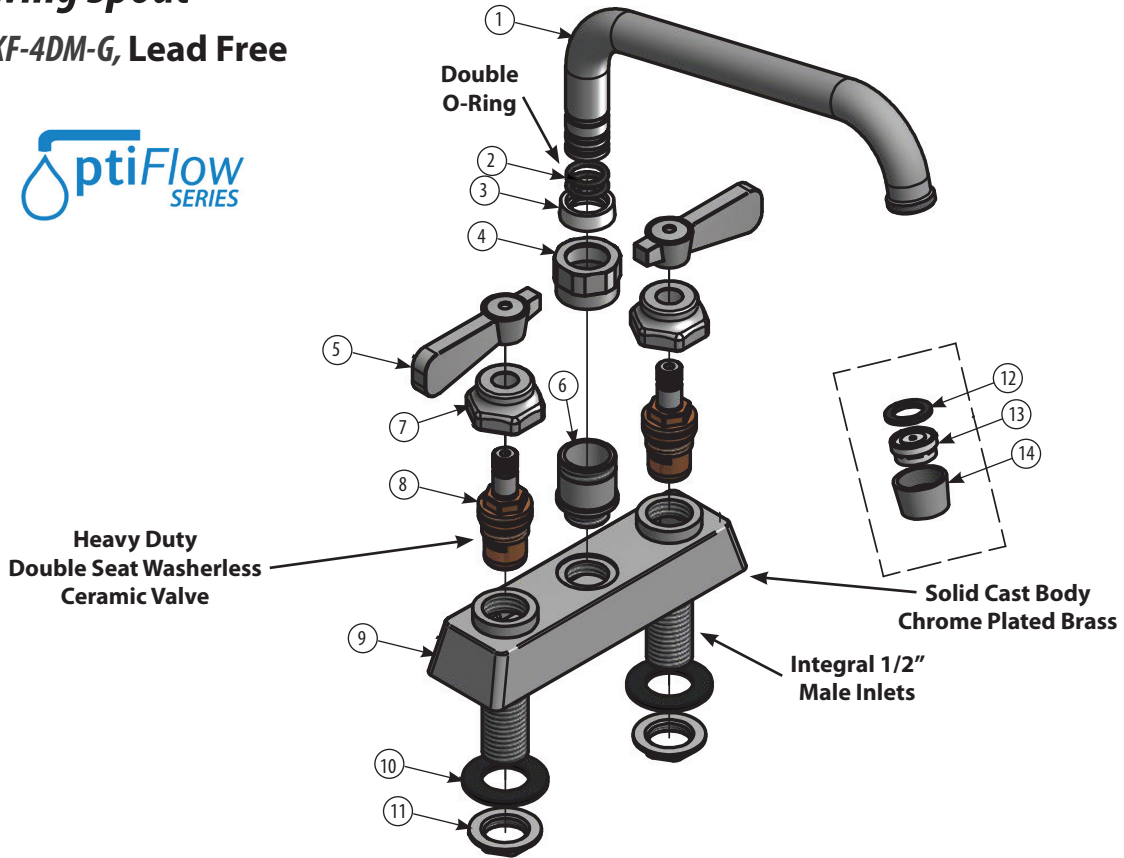
RESOURCES





4" Deck Mount Solid Body Faucet with Swing Spout

Model: BKF-4DM-G, Lead Free



Exploded Parts Detail:

| Diagram # | Quantity | Part Number | Description |
|-----------|----------|------------------|-----------------|
| 1 | 1 | BKF-SPT-XX | Spout |
| 2 | 2 | BKF-SPT-ORING | O-Ring |
| 3 | 1 | BKF-SPT-SPACER | Spacer |
| 4 | 1 | BKF-SPT-NUT | Spout Nut |
| 5 | 2 | BKF-SBH | Handle |
| 6 | 1 | BKF-4DM-SPT-BASE | Spout Base |
| 7 | 2 | BKF-BONNET | Bonnet |
| 8 | 2 | BKF-HV/CV-G | Ceramic Valves |
| 9 | 1 | BKF-4DM-XX-G | Faucet Body |
| 10 | 2 | BKF-MW | Mounting Washer |
| 11 | 2 | BKF-MN | Mounting Nut |
| 12 | 1 | BKF-SPT-AER-W | Aerator Washer |
| 13 | 1 | BKF-SPT-AER | Aerator |
| 14 | 1 | BKF-AER-NOZZLE | Nozzle |

Optional Spouts & Parts:

- Heavy Duty Gooseneck Spout**
BKF-HSPT-3G-G, BKF-HSPT-5G-G
BKF-HSPT-8G-G
- Heavy Duty DJ Swing Spout**
BKF-HSPT-18-G
- Heavy Duty Swing Spout**
BKF-HSPT-6-G, BKF-HSPT-8-G
BKF-HSPT-10-G, BKF-HSPT-12-G
BKF-HSPT-14-G, BKF-HSPT-16-G
- BKF-C414-VR**
Vandal Resistant Aerator - .5 GPM
- BKF-WBH**
ADA Compliant
Wrist Blade Handles

PRODUCT SPECIFICATION SHEET

RESOURCES

