

# CS-100

## Hot Food Holding Carving Station

ALTO-SHAAM.

Alto-Shaam carving stations keep food fresh, hot and ready to serve at just the right temperature. Maximize visual appeal while maintaining food temperature and quality. Gentle, precise Halo Heat® technology radiates directly from the carving shelf surface, while an ambient surface lamp keeps food warm without cooking or drying out food.



CS-100/S

### Standard Features

- Controlled, uniform holding with Halo Heat technology
- Fixed lamp assembly provides additional heat to the product for greater surface temperature control
- NSF- and USDA-listed removable cutting board with integrated gravy lane
- Recessed heated surface to catch drippings
- Heated base provides low, medium or high heat options
- Designed to fit on top of Cook & Hold Ovens, heated holding cabinets, smoker ovens or suitable for placement on any surface
- Optional clear-glass customer breath guard easily slides in place, meeting NSF breath guard specification

### Configurations (select one)

- CS-100  CS-100/S

### Electrical

- 120V  230V

### Accessories (select all that apply)

- Cutting board—13-3/4" x 16" x 1/2" [349mm x 406mm x 13mm] [BA-28482]

### Carving Holders

- Prime rib [HL-2635]  
 Steamship round [4459]

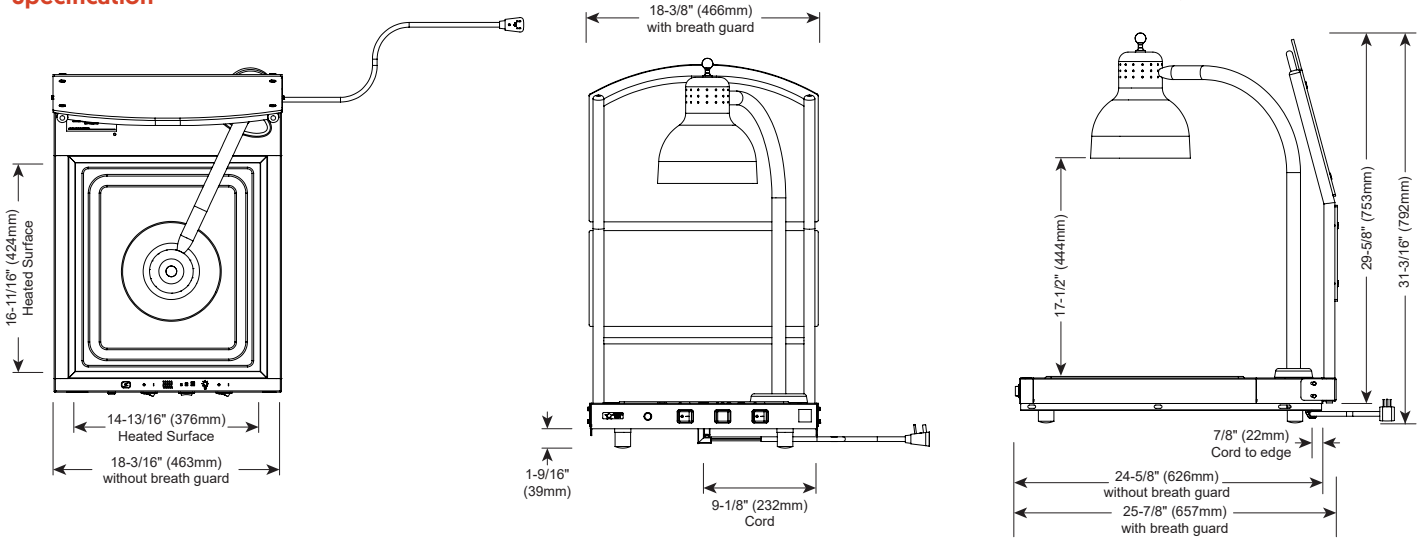


35 lb [16 kg] product maximum



# CS-100

## Specification



**DIMENSIONS**

### Model

CS-100  
CS-100/S

### Exterior (H x W x D)

CS-100 31-3/16" x 18-3/16" x 24-5/8" [792mm x 463mm x 626mm]  
CS-100/S 31-3/16" x 18-3/8" x 25-7/8" [792mm x 466mm x 657mm]

### Ship Weight\*

CS-100 100 lb (45 kg)  
CS-100/S 150 lb (68 kg)

### Net Weight

Contact factory  
Contact factory

### Ship Dimensions (L x W x H)\*

35" x 35" x 41" [889mm x 889mm x 1041mm]  
35" x 35" x 41" [889mm x 889mm x 1041mm]

\*Domestic ground shipping information. Contact factory for export weight and dimensions.



**CHECK FIRST**

- Appliance must be installed on a stable level surface.
- Appliance must not be installed in any area where it may be affected by steam, grease, dripping water, high temperatures, or any other severely adverse conditions.
- Warranty does not apply if the carving station is flooded or immersed in water.



**ELECTRIC**

CS-100	V	Ph	Hz	A	kW	Cord & Plug
120V	120	1	60	4.2	0.5	NEMA 5-15p 15A-125V plug
230V	230	1	50/60	2.2	0.5	Plugs rated 250V CEE 7/7 CH2-16P BS 1363 AS/NZS 3112

## CONTACT US

W164 N9221 Water Street | Menomonee Falls, Wisconsin 53051 | U.S.A.  
Phone: 262.251.3800 | 800.558.8744 U.S.A./Canada | Fax: 262.251.7067 | [alto-shaam.com](http://alto-shaam.com)