



Profit from the Eagle Advantage®

Specification Sheet

Short Form Specifications

Eagle Battery-Powered Electronic-Eye Hand Sink, model _____ . Constructed of all-welded type 304 stainless steel, with deep-drawn positive drain sink bowl, inverted "V" edge to prevent spillage, drain, and splash mounted battery-powered electronic-eye faucet, with low battery indicator light. Offered are the following hand sinks:

- Model #HSA-10-FE-B-DS. Includes deck mounted soap dispenser.
- Model #HSAN-10-FE-B-DS. 12" side-to-side. Includes deck mounted soap dispenser.
- Model #HSA-10-FDPEE-B-T. Includes waste receptacle, stainless steel skirt, paper towel dispenser, and electronic soap dispenser.
- Model #HSAP-14-ADA-FE-B. ADA-approved, with fabricated sink bowl, front loading C-fold paper towel dispenser, deck mounted soap dispenser, and stainless steel skirt.
- Model #HSA-10-FE-B-NB-MG. Features MICROGARD® antimicrobial protected surface, and splash mounted nail brush holder.
- Model #HSA-10-FE-B-T-NB-MG. Features MICROGARD® antimicrobial protected surface, splash mounted nail brush holder, and stainless steel waste receptacle.



HSA-10-FE-B-DS

Item No.: _____
 Project No.: _____
 S.I.S. No.: _____

Electronic Hand Sinks with Battery-Powered Faucet

MODELS:

- HSA-10-FE-B-DS
- HSA-10-FDPEE-B-T
- HSA-10-FE-B-NB-MG
- HSA-10-FE-B-T-NB-MG
- HSAN-10-FE-B-DS
- HSAP-14-ADA-FE-B

- Heavy gauge type 304 stainless steel all-welded construction.
- Unique deep-drawn positive-drain bowl assures complete drainage to meet the most stringent health code requirements.
- Inverted "V" edge rim retards spillage.
- Electronic-eye faucet conserves water and minimizes contamination.
- Faucet comes with four "AA" batteries.
- Built-in "low battery" indicator light.
- Water flow is controlled by low-voltage solenoid valve that activates when electronic eyes' sensor beam is broken.
- No electrical outlet required.
- Available wall mount and pedestal models.
- NSF approved to meet most stringent health code requirements.
- Most units have optional accessories as standard components.

Options / Accessories

- Temperature adjustment valve
- P-trap
- Tail piece
- Electronic-eye soap/towel dispenser
- Waste receptacle
- Side splash
- Anti-scald valve
- Skirt assembly
- Wall brackets
- T&S battery-powered faucet

EAGLE GROUP
 100 Industrial Boulevard, Clayton, DE 19938-8903 USA
 Phone: 302-653-3000 • Fax: 302-653-2065
 www.eaglegrp.com

Foodservice Division: Phone 800-441-8440
MHC/Retail Display Divisions: Phone 800-637-5100

For custom configuration or fabrication needs, contact our **SpecFAB® Division**.
 Phone: 302-653-3000 • Fax: 302-653-2065 • e-mail: quotes@eaglegrp.com



EG20.49 Rev. 08/14

Spec sheets available for viewing, printing or downloading from our online literature library at www.eaglegrp.com

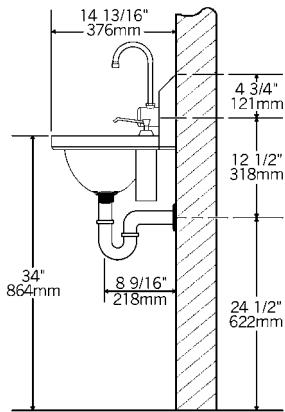
Eagle Foodservice Equipment, Eagle MHC, SpecFAB®, and Retail Display are divisions of Eagle Group. ©2014 by the Eagle Group



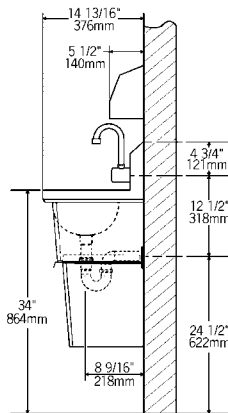
Profit from the Eagle Advantage®

Item No.: _____
 Project No.: _____
 S.I.S. No.: _____

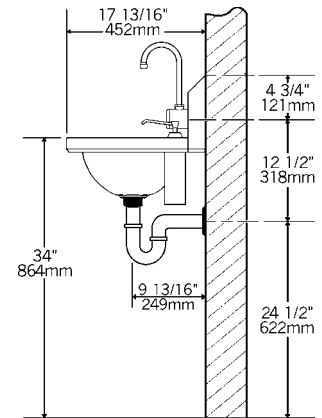
HSA-10-FE-B-DS



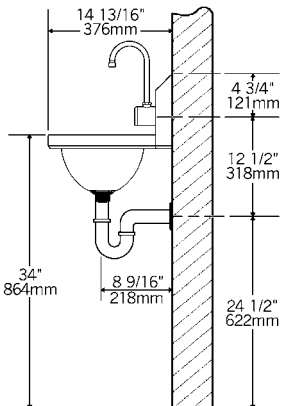
HSA-10-FDPEE-B-T



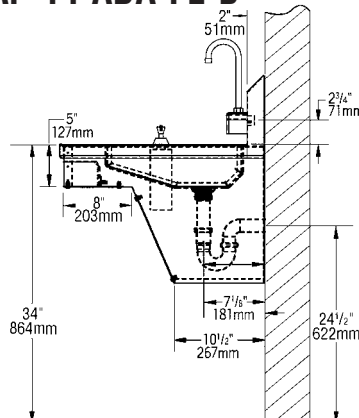
HSAN-10-FE-B-DS



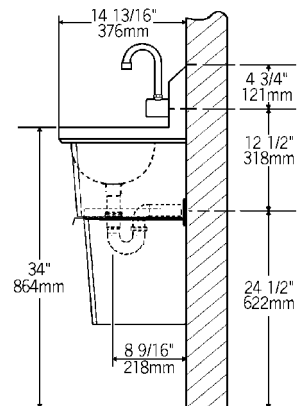
HSA-10-FE-B-NB-MG



HSAP-14-ADA-FE-B



HSA-10-FE-B-T-NB-MG



model #	includes	bowl size		overall size		weight lbs. kg
		width in.	length x depth mm	width in.	length x height mm	
HSA-10-FDPEE-B-T	faucet, towel disp., elec. soap disp., waste receptacle/skirt, basket drain	9 3/4"	13 1/2" x 6 3/4" 248 x 343 x 173	14 3/4" x 19 1/4" x 47 1/2"	375 x 489 x 1207	54 24.5
HSA-10-FE-B-DS*	faucet, deck-mount soap disp., basket drain	9 3/4"	13 1/2" x 6 3/4" 248 x 343 x 173	14 3/4" x 18 7/8" x 12 3/4"	375 x 480 x 324	16 7.3
HSAN-10-FE-B-DS*	faucet, deck-mount soap disp., basket drain	13 1/2"	9 3/4" x 6 3/4" 343 x 248 x 173	17 13/16" x 12 1/8" x 14 1/4"	452 x 308 x 362	16 7.3
HSAP-14-ADA-FE-B	faucet, c-fold towel disp. in front, deck-mount soap disp., skirt, basket drain	16"	14" x 5" 406 x 356 x 127	24" x 22" x 24 1/2"	610 x 559 x 623	65 29.5
HSA-10-FE-B-NB-MG**	faucet, splash-mount nail brush holder, nail brush, basket drain	9 3/4"	13 1/2" x 6 3/4" 248 x 343 x 173	14 13/16" x 18 7/8" x 12 3/4"	376 x 480 x 324	26 11.8
HSA-10-FE-B-T-NB-MG**	faucet, splash-mount nail brush holder, nail brush, waste receptacle, basket drain	9 3/4"	13 1/2" x 6 3/4" 248 x 343 x 173	14 13/16" x 18 7/8" x 29 1/8"	376 x 480 x 740	25 11.3

*Overall height does not include soap dispenser globe; **Includes MICROGARD® antimicrobial protection

EAGLE GROUP
 100 Industrial Boulevard, Clayton, DE 19938-8903 USA
 Phone: 302-653-3000 • Fax: 302-653-2065
 www.eaglegrp.com

Foodservice Division: Phone 800-441-8440
 MHC/Retail Display Divisions: Phone 800-637-5100

Printed in U.S.A.
 ©2014 by Eagle Group

Rev. 08/14

Spec sheets available for viewing, printing or downloading from our online literature library at www.eaglegrp.com

Although every attempt has been made to ensure the accuracy of the information provided, we cannot be held responsible for typographical or printing errors. Information and specifications are subject to change without notice. Please confirm at time of order.