



**John  
BOOS**  
Since 1887

ITEM #: \_\_\_\_\_ QTY: \_\_\_\_\_  
 MODEL #: \_\_\_\_\_  
 PROJECT NAME: \_\_\_\_\_

061621

3601 S. Banker St. Effingham, IL 62401 • Ph: (888) 431-2667 • Fax: (800) 433-2667

## **"UBDS-18" UNDERBAR DUMP SINK**

### **SLIM-LINE, 18" WIDTH**



#### **STANDARD FEATURES:**

- ALL 18 GAUGE STAINLESS STEEL CONSTRUCTION
- TYPE 300 STAINLESS STEEL WITH #4 POLISH, SATIN FINISH
- SLIM LINE 18" DEEP FRONT TO BACK
- STANDARD PRE-DRILLED HOLES ON SIDES FOR ATTACHING ADJACENT UNITS TOGETHER
- REMOVABLE FAUCET PLATE WITH 4" ON-CENTER SPLASH MOUNT FAUCET HOLES
- PERFORATED DUMP BASKET 9-1/2" X 6" X 5" DEEP
- STANDARD FRONT INSERTS FOR BLENDER STATION SHELF ATTACHMENT
- STAINLESS STEEL FRONT TO BACK BRACING

#### **SPECIFICATIONS:**

- MATERIALS
  - TOP: 18 GAUGE TYPE 300 STAINLESS STEEL
  - FRONT APRON: 18 GAUGE TYPE 300 STAINLESS STEEL
  - BACKSPLASH: 18 GAUGE TYPE 300 STAINLESS STEEL
  - SIDES: 18 GAUGE TYPE 300 STAINLESS STEEL
- SINK BOWL
  - FABRICATED SINK BOWL: 14" X 10" X 10" DEEP
- LEGS AND BRACING
  - BOLT ON 1-5/8" STAINLESS STEEL LEGS FOR FAST INSTALLATION
  - 1-1/4" FRONT TO BACK BRACING
  - 1" ADJUSTABLE STAINLESS STEEL BULLET FEET
- MOUNTING OPTIONS
  - Z-CLIP TO MOUNT TO WALL
  - BOLT TO ADJACENT UNDERBAR PIECE
  - MOUNTING OPTIONS ALLOW FOR FLEXIBLE INSTALLATION
  - OPTIONS TO REMOVE BACK OR FRONT AND BACK LEGS FOR A CLEAN INSTALLATION
- PLUMBING
  - 1-7/8" DRAIN WITH BASKET
  - 1-1/2" NPS DRAIN CONNECTION
- NSF CERTIFIED



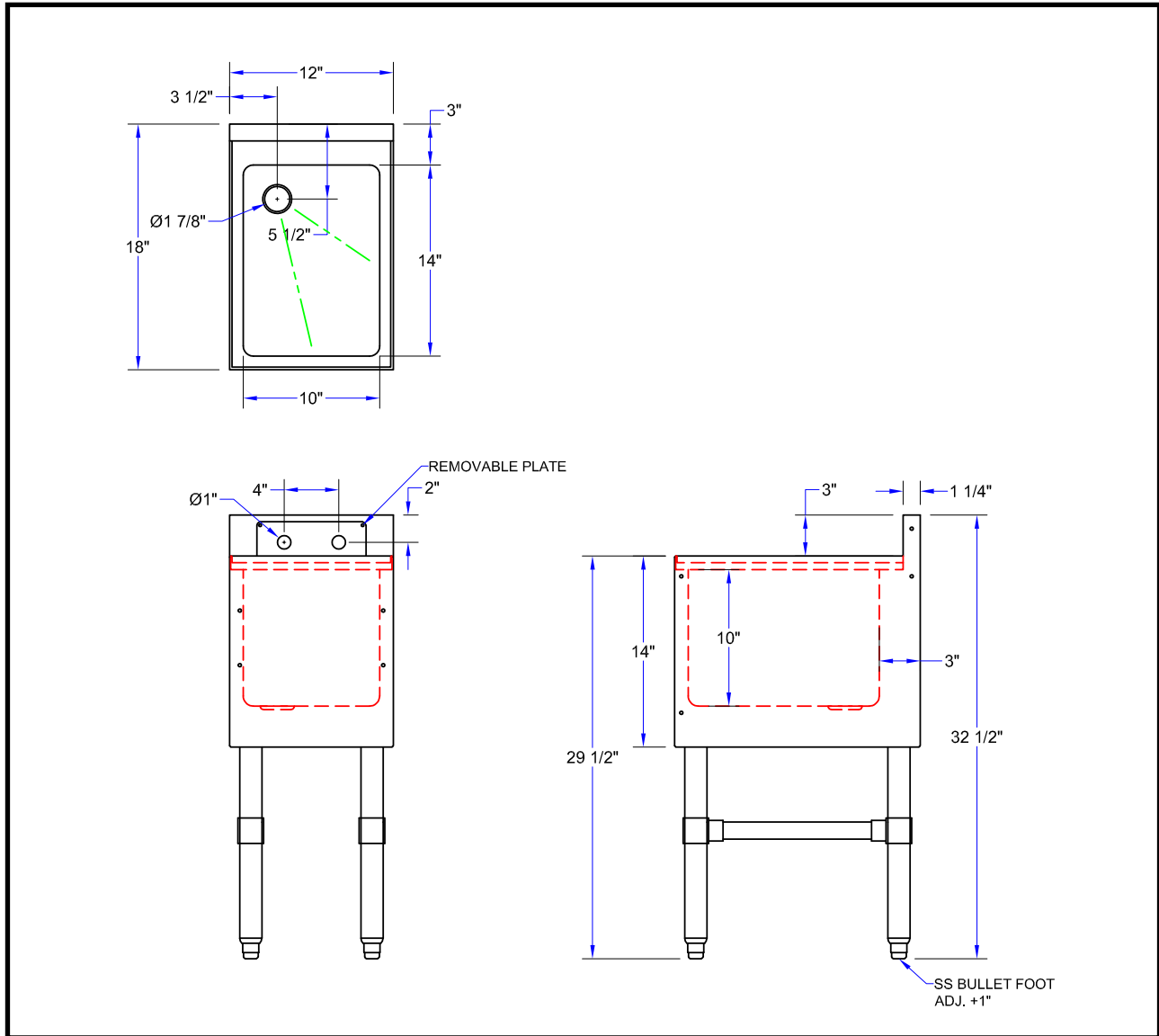
PERFORATED DUMP BASKET  
(INCLUDED)

ACCESSORIES	DESCRIPTION
PBF-4SM2-6LF	HEAVY DUTY FAUCET
PBF-W2-6LF	ECONOMY FAUCET
PB-WL-36	FLEXIBLE SHALLOW MOUNT FAUCET HOSES
UBSS-18-L	SLIM-LINE LEFT HAND SIDE SPLASH
UBSS-18-R	SLIM-LINE RIGHT HAND SIDE SPLASH
UBBSS-12	BLENDER STATION SHELF
UBDSB-1006	REPLACEMENT PERFORATED DUMP BASKET

#### **DUMP SINK - SLIM-LINE, 18" WIDTH**

MODEL #	SIZE (LXWXH)	WT. (LBS)
UBDS-1812	12"X18"X32-1/2"	37

# DETAILED SPECIFICATIONS



## DUMP SINK - SLIM-LINE, 18" WIDTH

MODEL #	SIZE (LXWXH)	WT. (LBS)
UBDS-1812	12"X18"X32-1/2"	37

SOME UNITS SHIP UNASSEMBLED FOR REDUCED SHIPPING COST. ALL DIMENSIONS ARE TYPICAL. TOLERANCE +/- .500"  
 John Boos & Co. is constantly engaged in a program of improving products and therefore reserves the right to change specifications without prior notice.



Boos  
lock

AQ AutoQuotes

3601 S. Banker St. • Effingham, IL 62401 • quotes@johnboos.com

[www.johnboos.com](http://www.johnboos.com)