



**John  
BOOS**  
Since 1887

ITEM #: \_\_\_\_\_ QTY: \_\_\_\_\_  
 MODEL #: \_\_\_\_\_  
 PROJECT NAME: \_\_\_\_\_

041221

3601 S. Banker St. Effingham, IL 62401 • Ph: (888) 431-2667 • Fax: (800) 433-2667

## **"UBHS-21" UNDERBAR HAND SINK**

### **21" WIDTH**



#### **STANDARD FEATURES:**

- ALL 18 GAUGE STAINLESS STEEL CONSTRUCTION
- TYPE 300 STAINLESS STEEL WITH #4 POLISH, SATIN FINISH
- STANDARD PRE-DRILLED HOLES ON SIDES FOR ATTACHING ADJACENT UNITS TOGETHER
- REMOVABLE FAUCET PLATE WITH 4" ON-CENTER SPLASH MOUNT FAUCET HOLES
- SOAP AND TOWEL DISPENSER
- STAINLESS STEEL FRONT TO BACK BRACING

#### **SPECIFICATIONS:**

- MATERIALS
  - TOP: 18 GAUGE TYPE 300 STAINLESS STEEL
  - FRONT APRON: 18 GAUGE TYPE 300 STAINLESS STEEL
  - BACKSPLASH: 18 GAUGE TYPE 300 STAINLESS STEEL
  - SIDES: 18 GAUGE TYPE 300 STAINLESS STEEL
- SINK BOWL
  - FABRICATED SINK BOWL: 10" X 8" X 6" DEEP
- LEGS AND BRACING
  - BOLT ON 1-5/8" STAINLESS STEEL LEGS FOR FAST INSTALLATION
  - 1-1/4" FRONT TO BACK BRACING
  - 1" ADJUSTABLE STAINLESS STEEL BULLET FEET
- MOUNTING OPTIONS
  - Z-CLIP TO MOUNT TO WALL
  - BOLT TO ADJACENT UNDERBAR PIECE
  - MOUNTING OPTIONS ALLOW FOR FLEXIBLE INSTALLATION OPTIONS TO REMOVE BACK OR FRONT AND BACK LEGS FOR A CLEAN INSTALLATION
- PLUMBING
  - 1-7/8" DRAIN WITH BASKET
  - 1-1/2" NPS DRAIN CONNECTION
- NSF CERTIFIED

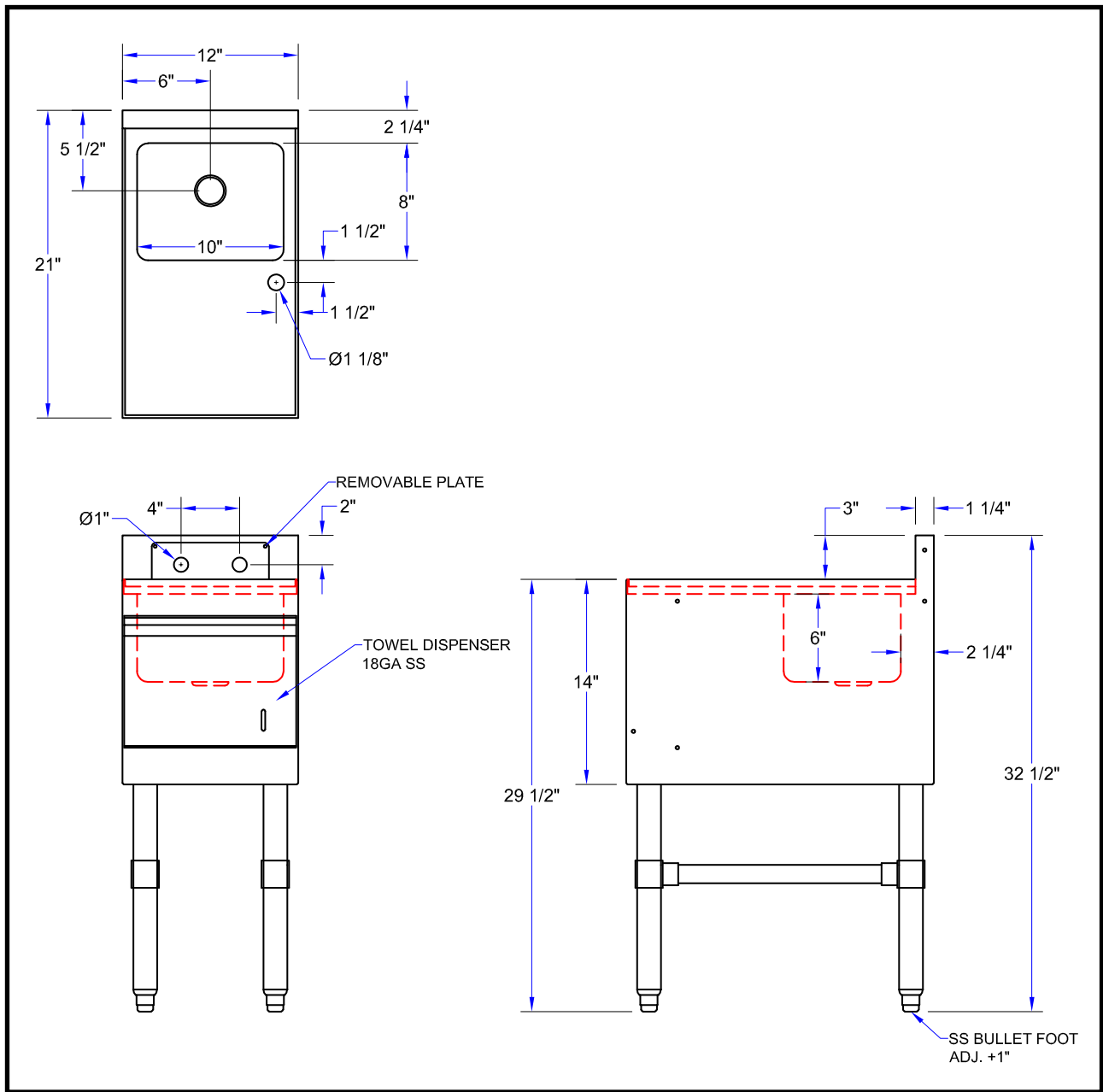


ACCESSORIES	DESCRIPTION
PBF-4SM2-3GLF	HEAVY DUTY FAUCET
PBF-W2-3GLF	ECONOMY FAUCET
PB-WL-36	FLEXIBLE SHALLOW MOUNT FAUCET HOSES
UBSS-21-L	LEFT HAND SIDE SPLASH
UBSS-21-R	RIGHT HAND SIDE SPLASH

#### **HAND SINK - 21" WIDTH**

MODEL #	SIZE (LXWXH)	WT. (LBS)
UBHS-2112	12"X21"X32-1/2"	36

# DETAILED SPECIFICATIONS



## HAND SINK - 21" WIDTH

MODEL #	SIZE (LXWXH)	WT. (LBS)
UBHS-2112	12"X21"X32-1/2"	36

SOME UNITS SHIP UNASSEMBLED FOR REDUCED SHIPPING COST. ALL DIMENSIONS ARE TYPICAL. TOLERANCE +/- .500"  
 John Boos & Co. is constantly engaged in a program of improving products and therefore reserves the right to change specifications without prior notice.



3601 S. Banker St. • Effingham, IL 62401 • quotes@johnboos.com

040721

25



[www.johnboos.com](http://www.johnboos.com)