



Model: _____ Item #: _____ Date: _____

Project: _____ Qty: _____ Approved By: _____

12" Speed Units

Royal Series Underbar



KR24-MS12



KR24-MD12



KR24-MC12

Standard Features

- 24" overall depth
- Backsplash 6-1/2", 1-1/2" deep
- High performance speed rinser
- Tool well with dipperwell faucet
- Non-slip flush mounted cutting board
- 10"W x 12"H x 7"D sink bowl
- Perforated stainless cutout
- 4" center wall mount Royal Series faucet with 1/4 turn ceramic cartridge valves
- Optional cabinet base with locking door

Specifications

- Interior: 20 gauge stainless steel
 - Front Apron: 20 gauge stainless steel
 - Sides: 20 gauge stainless steel
 - Backsplash: 20 gauge stainless steel
 - Back: 20 gauge galvanized steel (also available in stainless steel)
 - Bottom: 20 gauge galvanized steel (also available in stainless steel)
-
- Material**
-
- Legs**
- 1-5/8" tubular 16 gauge stainless steel with gray plastic bullet foot
-
- Plumbing**
- 1/2" IPS Hot & Cold Water, 4" Faucet
 - 1/2" IPS Cold, Glass Rinser
 - 1-1/2" IPS Drain, Sink bowl

| Model | Length | Depth | Dump Sink | Speed Rinser (qty) | Cutting Board | Cabinet Base | Left Side to Drain | Cutting Board Size | Weight |
|-------------|--------|-------|-----------|--------------------|---------------|--------------|--------------------|--------------------|--------|
| KR24-MS12 | 12" | 24" | ✓ | ✓ (1) | - | - | 6" | - | 58 |
| KR24-MD12 | 12" | 24" | ✓ | ✓ (2) | - | - | 6" | - | 58 |
| KR24-MC12 | 12" | 24" | ✓ | - | ✓ | - | 6" | 11-1/2" x 10" | 56 |
| KR24-MS12-C | 12" | 24" | ✓ | ✓ (1) | - | ✓ | 6" | - | 73 |
| KR24-MD12-C | 12" | 24" | ✓ | ✓ (2) | - | ✓ | 6" | - | 73 |
| KR24-MC12-C | 12" | 24" | ✓ | - | ✓ | ✓ | 6" | 11-1/2" x 10" | 73 |

NOTE

- Speed Unit model numbers that end in "-C" includes storage cabinet.
- Unless specified, cabinet base units will come standard with left hinge door.





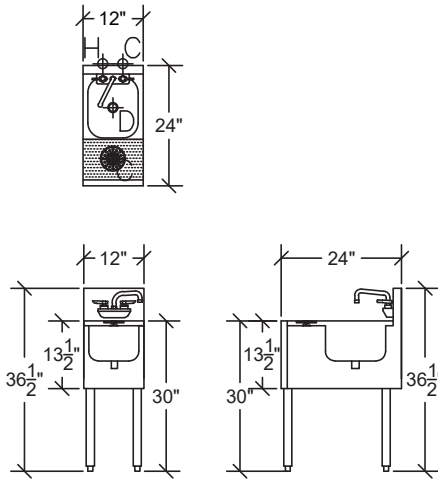
Model: _____ Item #: _____ Date: _____

Project: _____ Qty: _____ Approved By: _____

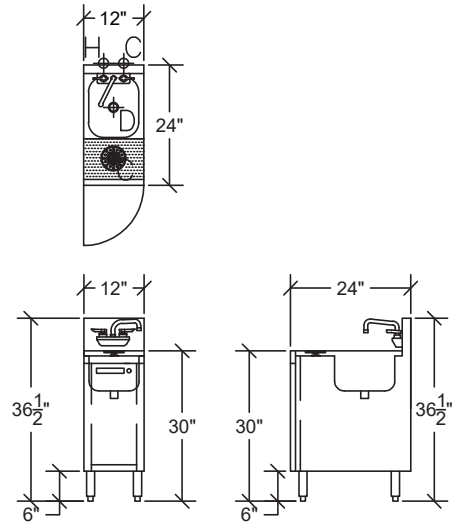
12" Speed Units

Royal Series Underbar

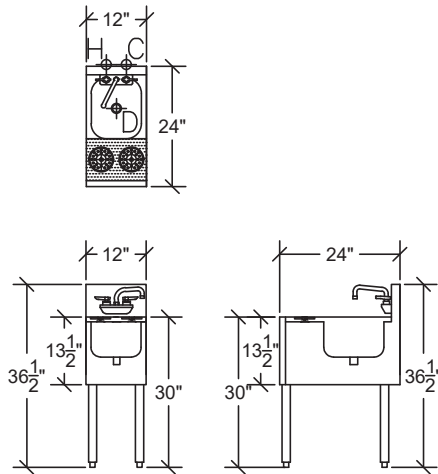
KR24-MS12



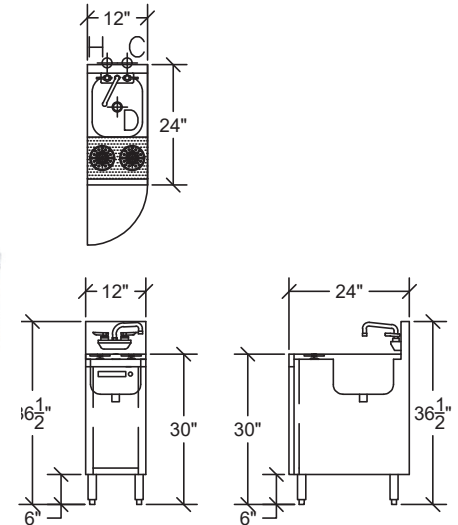
KR24-MS12-C



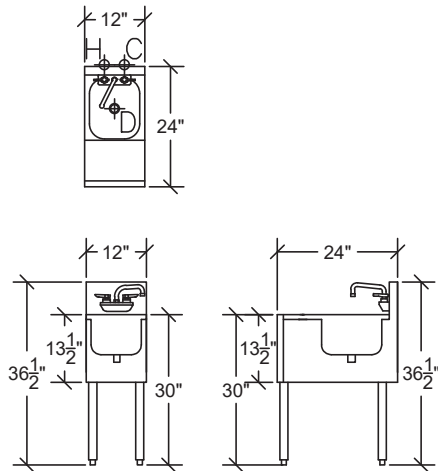
KR24-MD12



KR24-MD12-C



KR24-MC12



KR24-MC12-C

