



Simply Engineered Better

Project \_\_\_\_\_

Item No. \_\_\_\_\_

Quantity \_\_\_\_\_

MD2000HT DOOR-TYPE WITH HEAT RECOVERY

# MD2000HT

## Ventless

High Temperature Door-type Dishwashing Machine with Heat Recovery



### STANDARD FEATURES

- Cold water feed
- Automatic drain valve
- Convertible from straight to corner operation in field
- Built-in booster with a 180° final rinse
- Built-in diagnostics
- 208/240 volt; 1/3 phase (field convertible)
- Straight through or corner operation
- Capacity 36 racks per hour/60-second cycle
- Uses .90 gallons of water – wash is replenished by final rinse for less water and detergent usage
- Interchangeable stainless steel upper/lower wash rinse arms
- Door safety switch
- Door activated start
- Rinse Sentry
- Detergent chemical connection
- Complete with two 20" x 20" racks, one peg and one flat
- One year parts and labor warranty

### SPECIFIER STATEMENT

Specified unit will be Moyer Diebel model MD2000HT high temperature door-type dishwashing machine with Heat Recovery. Features 1 Hp pump motor, top mounted splash proof controls, Rinse Sentry, auto start and interchangeable upper and lower spray arms. Ventless Heat-Recovery system re-purposes steam to preheat incoming cold water and condensate water vapor. Integrated door safety lock prevents operator from disrupting cycle during energy recovery stage.

### OPTIONS & ACCESSORIES

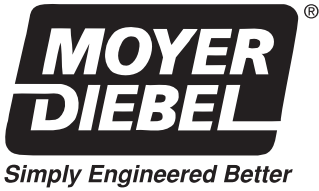
- Drain water tempering kit (un-mounted)
- Detergent & Rinse-Aid pumps (un-mounted)
- Flanged feet
- Shock arrestor (un-mounted)
- ION scale prevention system (un-mounted)



Moyer Diebel – USA

3765 Champion Blvd, Winston-Salem, NC 27105 Tel: 336/661-1992 Fax: 336/661-1979 800/228-8350

www.moyerdiebel.com

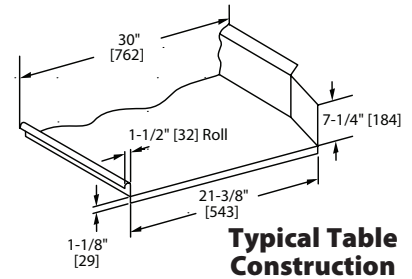
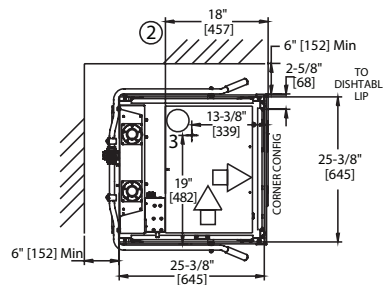
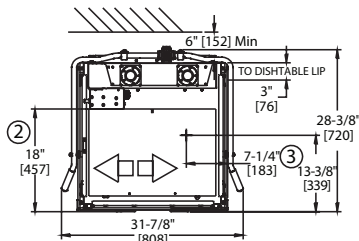
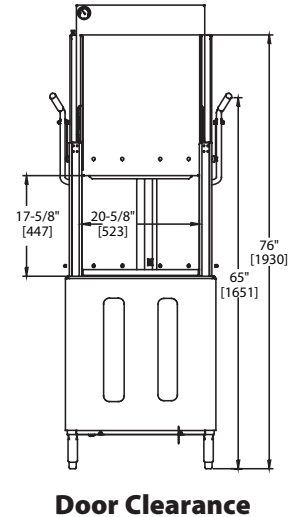
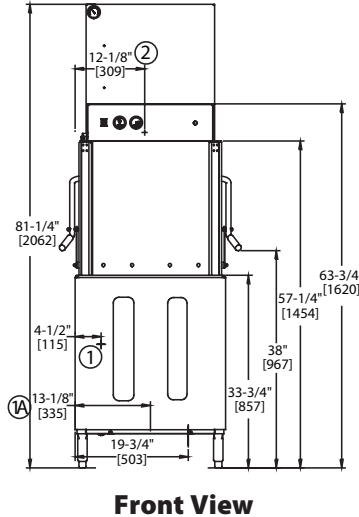
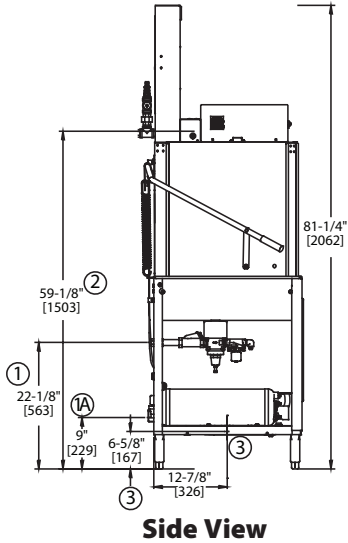


# MD2000HT

High Temperature Door-type Ventless Dishwashing Machine with Heat Recovery

Shipping weight crated: 218 lbs.

Dimensions shown in inches [mm]



**Straight Through**

**Corner Configuration**

MD2000HT Electrical Configured for 180° final rinse			
Elec Specs	Rated Amps	Minimum Supply Ckt. Conductor Ampacity	Maximum Overcurrent Protective Device
208/60/1	65	80	80
240/60/1	75	80	80
208/60/3	40	50	50
240/60/3	45	50	50

**Warning:** Plumbing, electrical connections should be made by qualified personnel who will observe all the applicable plumbing, sanitary and safety codes and the National Electrical Code.

Utilities	
<b>1 Water</b>	3/4" [19mm] NPT Flow pressure 20-22 PSI Cold water fill 55°F / 70°F
<b>2 Electrical</b>	40°F / 22°C and 70°F / 39°C rise booster 208-240/60/1&3 (see box)
<b>3 Drain</b>	2" [51mm] OD Connection Gravity drain 15 GPM [12.5 Imp. Gal.] max flow

## SPECIFICATIONS

### Capacities

Racks per hr. 36

### Motor horsepower

Wash 1 Hp

### Water consumption

Gal. per hr. (max. use)

US Gal [imp gal./liters] 49 [41/87]

Gal. per rack

US Gal [imp gal./liters] 0.9 [.75/3.4]

### Temperature °F/°C

Wash 150°F/66°C

Rinse 180°F/82°C

### Heating

Tank heat, electric (kW) 5.2

Booster (kW) 7.5

### Time cycle in seconds

Wash 40

Dwell 1

Rinse 12

Sanitary dwell 7

Recovery cycle 40

Total cycle time 100

Moyer Diebel – USA  
3765 Champion Blvd., NC 27105  
336/661-1979 • Fax: 336/661-1979

MoyerDiebel.com