



SICO® Mobile Sleeper

When the Bed Goes Down,
Profits Go Up.

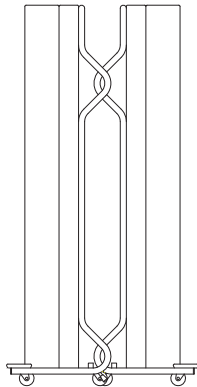
**NEW
PREMIUM
MATTRESS**

Offer your guests the most comfortable sleeping experience while maximizing your ROI. When added capacity is needed, simply roll a SICO® Mobile Sleeper into your guests' room. Problem solved. Your guests have a restful sleep experience and you rest easy knowing the sleeper is from SICO®.



Mattress Options

Your guests will receive the best possible rest with several comfortable options.



Minimal Footprint

Get the most out of your storage space with minimal envelope size and storage footprint.



Easy Transport

Roll your bed into place with ease. Simply lower or raise the bed in and out of use.



Features, Advantages & Benefits

Mattress Top

Sleeping Comfort: A conventional mattress and foundation ensures sleeping comfort is never compromised.

Adjustable Straps with Fasteners: Straps are strategically positioned to hold pillow, bedding and mattress in place during transport and storage. The strap is fastened safely out of sight under the bed when the bed is readied for use. The bedding is held to the frame by a separate figure-eight strap, which allows bedding to be tucked in on all sides of the mattress.

Fire Retardant Ticking: Used on both the foundation and the mattress. Sleep soundly knowing SICO® meets the stringent California fire-retardant standards.

Optional SICO® CHEMSAFE Mattress: An ideal option for hospitals and features a spill- and stain-repellant vinyl mattress and foundation ticking.

Vinyl Storage Bed Cover: Optional protective covering from dust and damage.

Mobility

Easy Transport: Housekeepers around the world find SICO® Mobile Sleepers easy to transport, as the light weight design allows them to roll quietly through hallways on casters. All beds, except the Twin XL, conveniently fit through standard doorways while in the vertical position.

Casters: Four 3" (8cm) swivel casters allows the bed to be easily rolled to wherever it is needed.

Thread Guard: Plastic thread guards prevent the accumulation of debris keeping wheel rotating freely.

Bed Frame

Foundation: The foundation is wrapped with an attractive black or port colored vinyl on its edges and back that matches the textured hybrid powder coat finish on the frame. The vinyl wrap on the foundation makes it very easy to keep clean and adds to the life of the Sleeper.

Durable Frame: An extra tough, scratch resistant powder coat finish applied to 14 gauge steel frame.

Leg/Handle: Assists in lowering the bed into the use position.

Pivot Point: No rough edges, the end legs and pivot points make them easy to lower for use or raise for transport.

No Moving Parts: No hinges to catch sheets or pinch fingers. You don't have to worry about maintenance.

Durable Laminate Headboard: Keeps pillows from falling off bed. Armor-Edge™ around perimeter for added protection in transport.

Warranty

5-Year Warranty: Includes Frame, Headboard and Casters.

5-Year Limited Warranty: On Mattress.

Lifetime Warranty: On all welds.



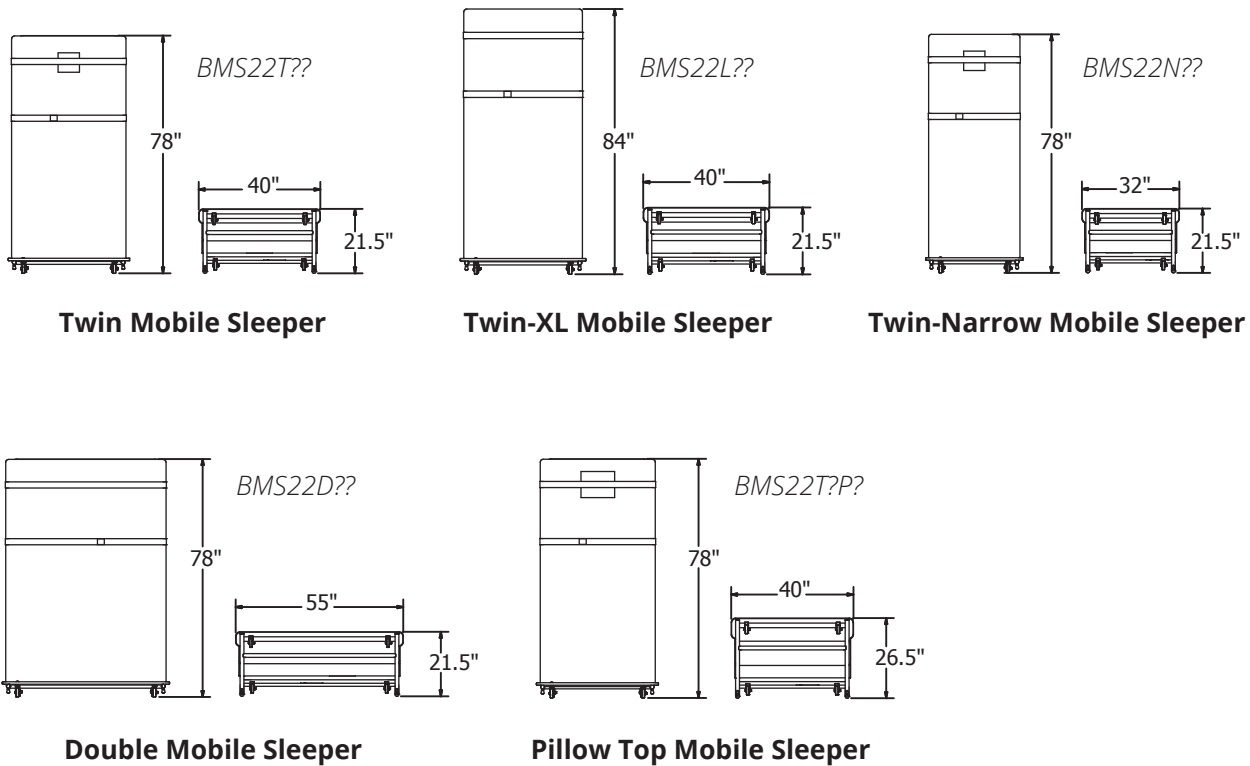
Specifications

Model No.	Description	Dimensions (Up) Height x Width	Headboard Height (Down)	Mattress Thickness	Weight
BMS22T??	Twin Mobile Sleeper	78" x 40" (198cm x 102cm)	21.5" (55cm)	7.5" (19cm)	105 lbs (48kg)
BMS22L??	Twin-XL Mobile Sleeper	84" x 40" (214cm x 102cm)	21.5" (55cm)	7.5" (19cm)	115 lbs (52kg)
BMS22N??	Twin-Narrow Mobile Sleeper	78" x 32" (198cm x 82cm)	21.5" (55cm)	7.5" (19cm)	94 lbs (43kg)
BMS22D??	Double Mobile Sleeper	78" x 55" (198cm x 138cm)	21.5" (55cm)	7.5" (19cm)	129 lbs (59kg)
BMS22T?P?	Pillow Top Mobile Sleeper	78" x 40" (198cm x 102cm)	26.5" (68cm)	10.5" (27cm)	115 lbs (52kg)

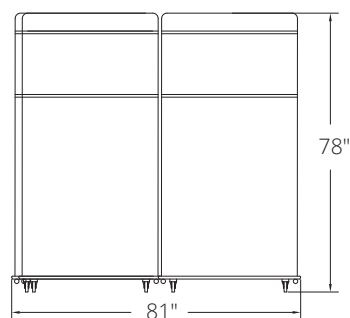
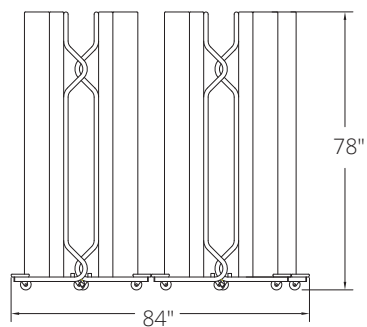
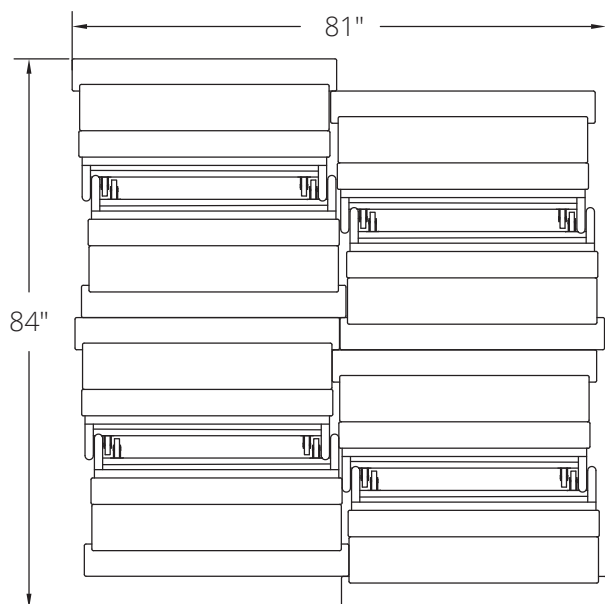
XXXXXX??

— CHEMSAFE Option
— Color Option: B- Black / P- Port

Dimensions



Storage Dimensions*



* Storage dimensions based on the Twin Mobile Sleeper (model: BMS22T??)

Color Options

Black



Port

