

Item# _____
Project: _____
Qty: _____

Gas Charbroilers

SCBS-48
Not Shown

SCBS-24



SCBS-36



Features

- Stainless steel U-shaped burner
- 30,000 BTU per burner
- Hot rolled steel radiant burner cover - even heat
- Standby pilot for quick and easy start
- Durable, attractive stainless steel front and sides
- Zinc alloy knob with chrome coating
- Rear and side back splash
- Oil collector at the bottom
- Stainless steel adjustable heavy duty legs
- Built for natural gas and supplied with LP conversion kit

One Year - Parts & Labor on entire unit. Valid in United States
- Valid for commercial use only



Serv-Ware
www.servware.com

Phone:(800).768.5953

Revised 10/18

Fax:(800).976.1299



Intertek



Intertek

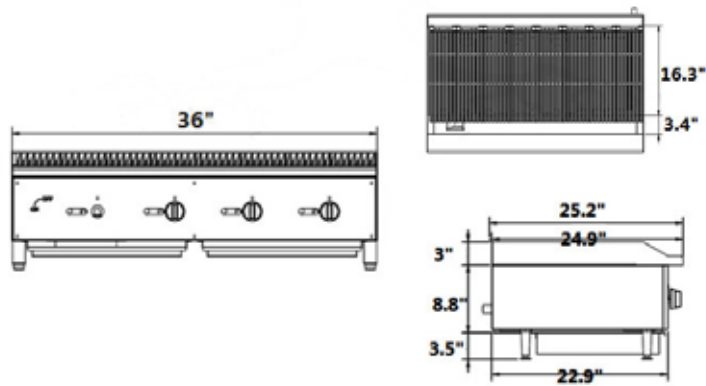
Serv-Ware

Item# _____
 Project: _____
 Qty: _____

Gas Charbroilers

SCBS-24
 (Not Shown)

SCBS-36



SCBS-48
 (Not Shown)

Serv-Ware

Model	Description	Dimensions (W x D x H)	Weight / lbs. (Shipping)
SCBS-24	2 Burner	24" x 25.2" x 15.3"	154 lbs.
SCBS-36	3 Burner	36" x 25.2" x 15.3"	209 lbs.
SCBS-48	4 Burner	48" x 25.2" x 15.3"	297 lbs.



Serv-Ware
www.servware.com

Phone: (800).768.5953

Revised 10/18

Fax: (800).976.1299



Intertek

Intertek