



Underbar Sinks

Stainless Steel Underbar Sinks



Use your smart phone to scan the above QR code to visit our website:
www.bk-resources.com

Certifications:



Features:

- Integrally Welded Bowls 10"(l) x 14"(w) x 10"(d)
- Stamped and Pitched Drainboards
- Standard 21" Depth
- Includes: BKD-10-G Faucet, BKDR-2 Basket Drains, BK-OT-15075 7" Overflow Tubes
- Stainless Legs Install Directly Into the Sink Body

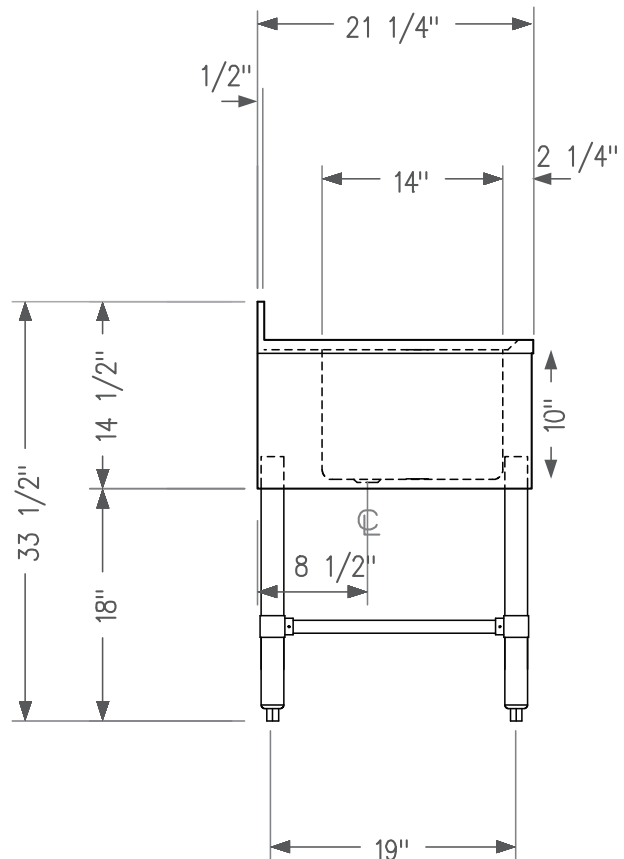
Options:

- Upgraded Bullet Feet

Material:

- T-304 18 ga. Stainless Steel
- Adjustable High Impact Corrosion Resistant Feet

Length	Part Number	# of Bowls	Sets of Faucet Holes	Drainboard Size
24"	UB4-21-224S	2	1	N/A
36"	UB4-21-336S	3	1	N/A
48"	UB4-21-248TS	2	1	(2) - 13 ³ / ₁₆ "
	UB4-21-348LS	3	1	(1) L - 13 ⁵ / ₈ "
60"	UB4-21-348RS	3	1	(1) R - 13 ⁵ / ₈ "
	UB4-21-360TS	3	1	(2) - 13 ¹ / ₂ "
72"	UB4-21-372TS	3	1	(2) - 19"
	UB4-21-472TS	4	2	(2) - 13 ³ / ₄ "
84"	UB4-21-384TS	3	1	(2) - 25"
	UB4-21-484TS	4	2	(2) - 19"
	UB4-21-396TS	3	1	(2) - 31"
96"	UB4-21-496TS	4	2	(2) - 25"



PRODUCT DATA SHEET